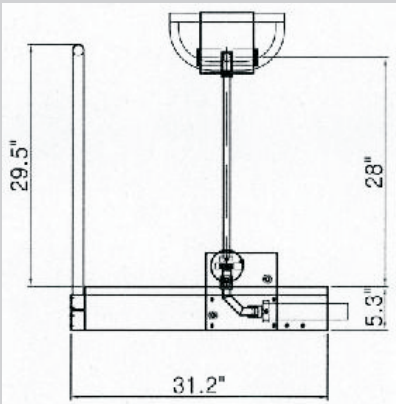


JPI AMERICA, INC.
"With JPI, Quality is Affordable"

Advance Step Podiatry X-ray System

Power
Quality
Value



Features

X-ray Tube and Generator

- 90kV, 15mA High Frequency Generator
- Minimize Exposure Time
- Compare to Leading Competitor's High Power Series
- Clear Images for any Extremity Shot
- Push Button Controlled Digital Display
- Four Programmable Settings

Electrical Requirements

- Plugs into standard 110V power outlet
- No dedicated line required
- Electronic voltage compensation

Stand

- Fixed 28" vertical and horizontal SID
- 5 & 1/2" platform height
- 29 & 1/2" platform length
- 23 & 1/2" platform width
- 29.5" hand rail height
- 31 & 1/2" width (including arm assembly)
- Supports 400lbs of weight
- Assembles in minutes
- Highly durable finish

JPI America, Inc.

52 Newtown Plaza, Plainview, NY 11803, USA

Toll Free: 888-574-2001 Web: www.jpiamerica.com